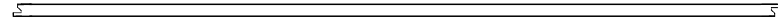
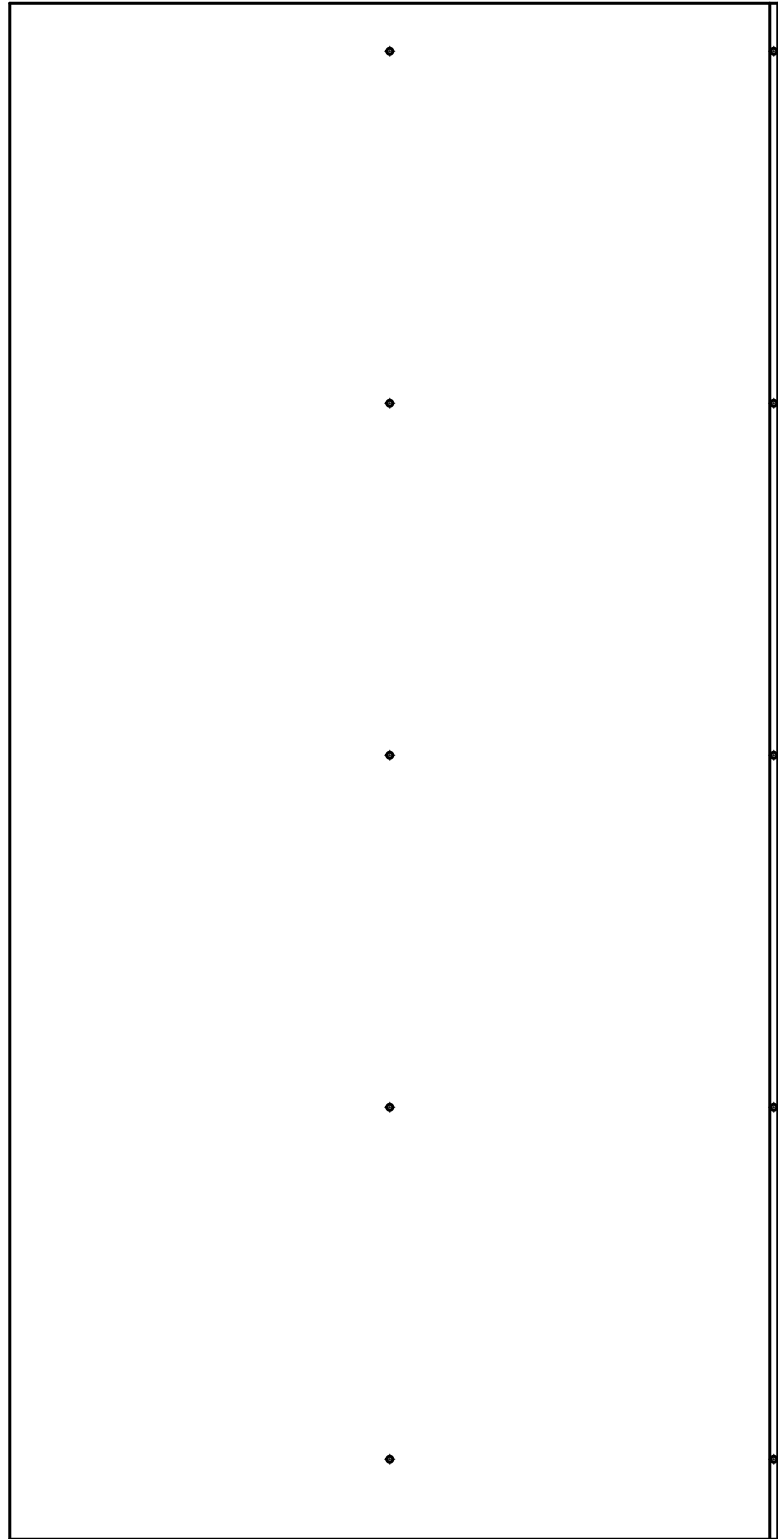


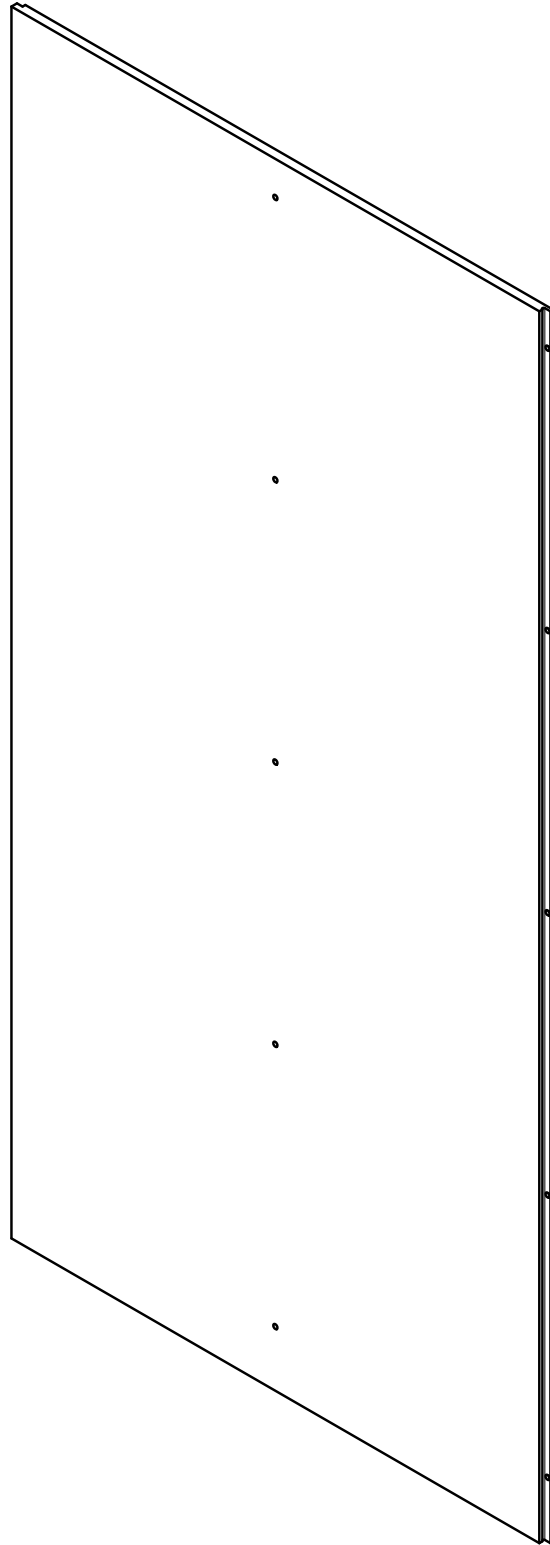
TOP VIEW



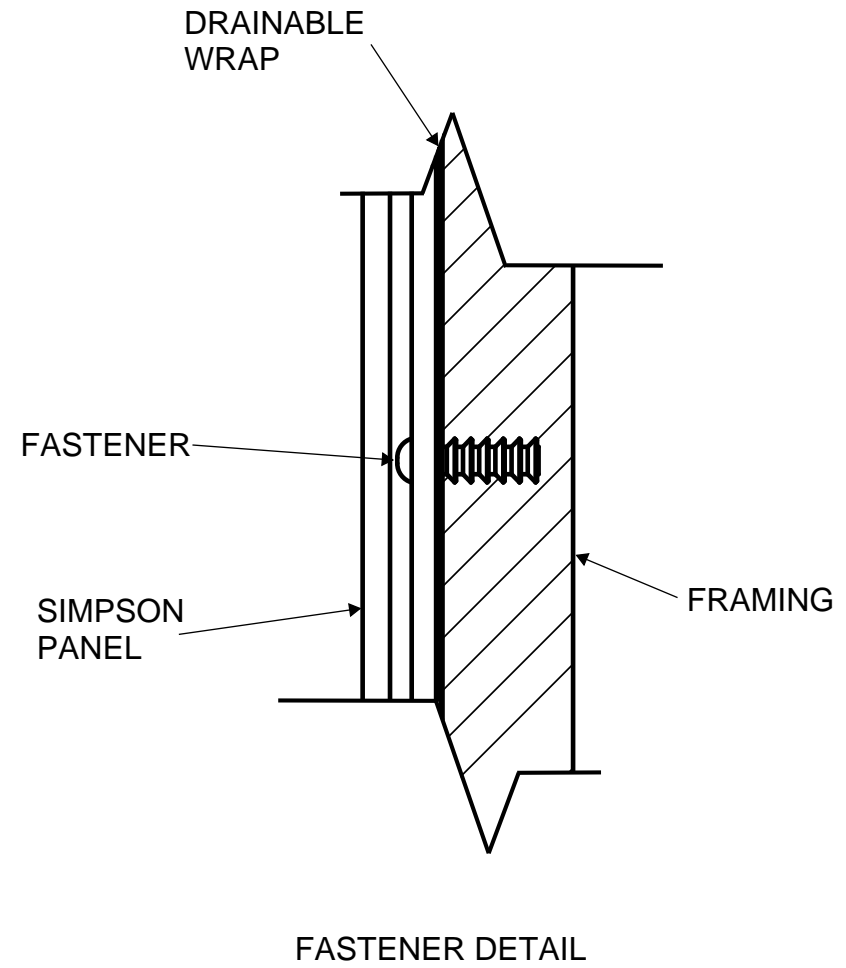
TAB FOR FASTENERS



FRONT VIEW



PERSPECTIVE VIEW



These CAD drawings are provided for informational purposes as design templates only. They lack full construction details and must be used alongside installation instructions. Consult an architect or engineer to determine suitability for your specific project. Simpson Panel assumes no liability for the use of these drawings.
 For more information about specifications and installation reference the appropriate documentation at simpsonpanel.com

SIMPSON INNOVA DIRECT PANEL

SCALE: NTS

DATE: 08.01.2024

